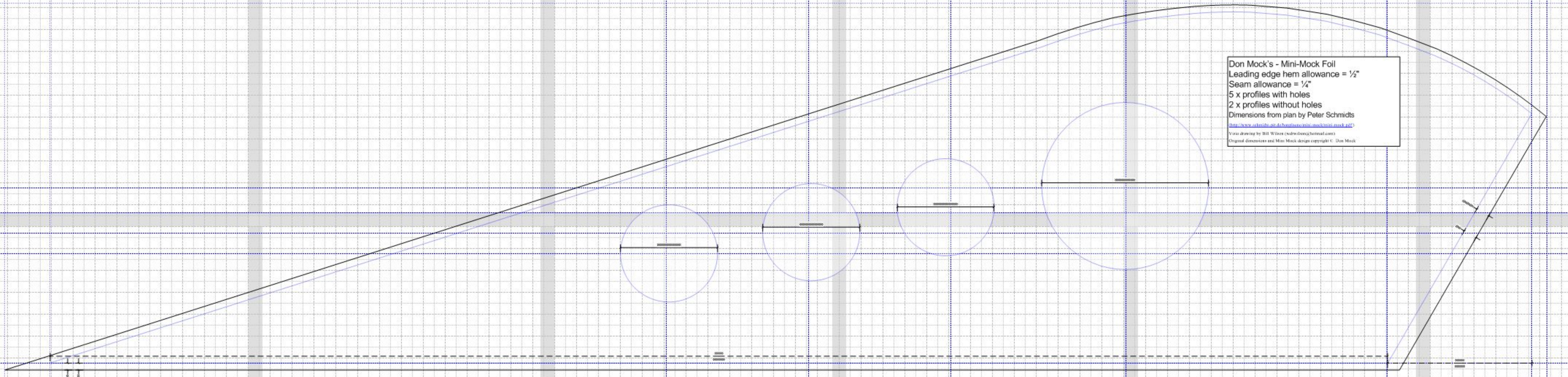
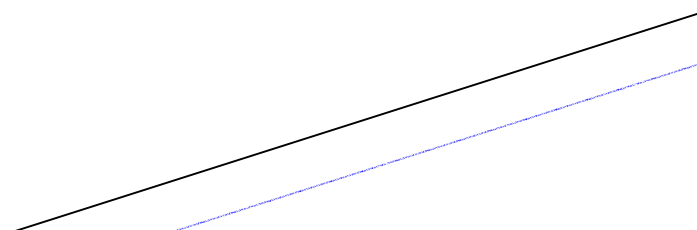
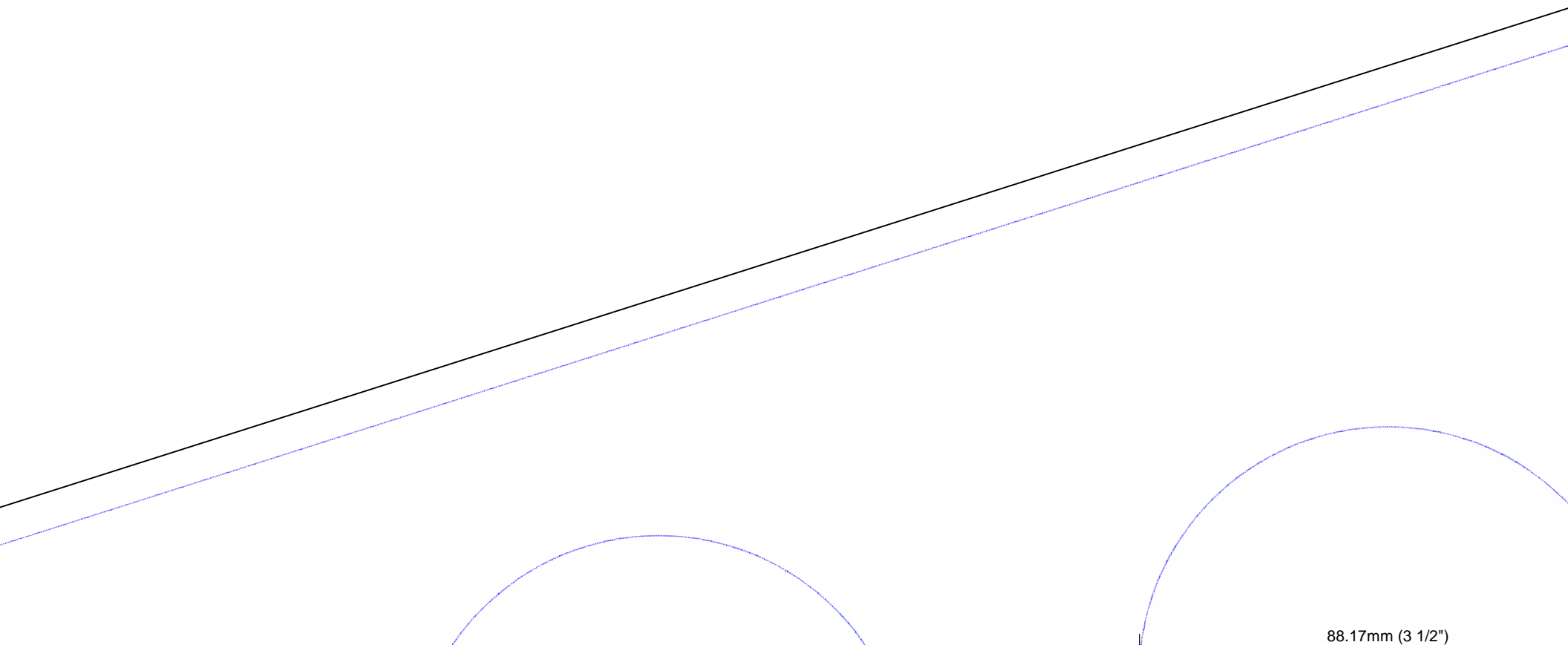


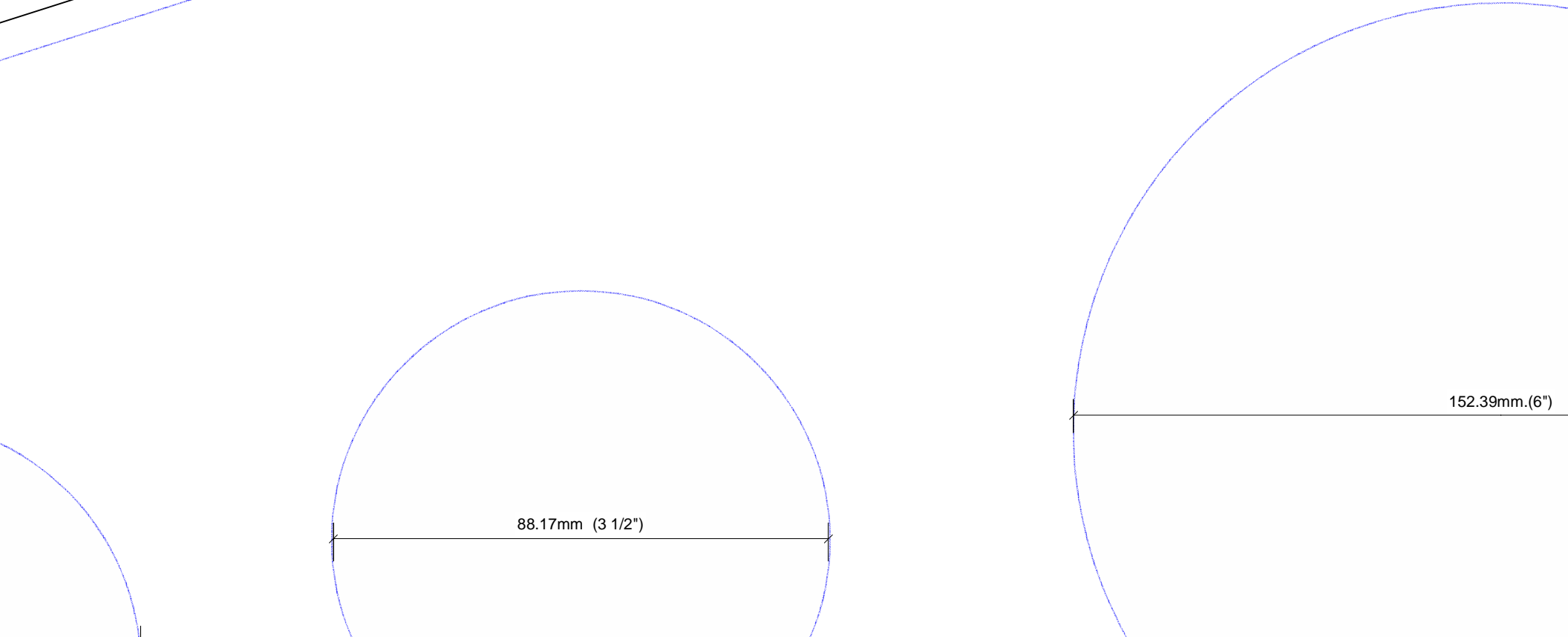
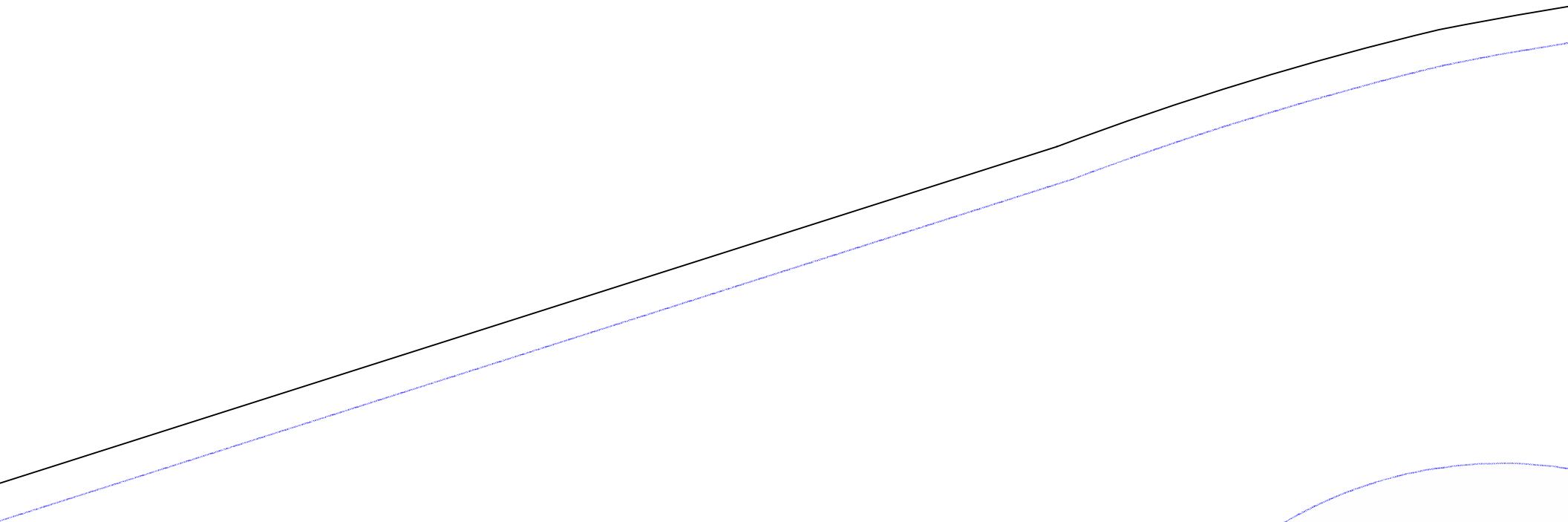
Don Mock's - Mini-Mock Foil
Leading edge hem allowance = 1/2"
Seam allowance = 1/4"
5 x profiles with holes
2 x profiles without holes
Dimensions from plan by Peter Schmidts
<http://www.arknighi.net/d3/brochure/minimock/minimock.pdf>
Vario drawing by Bill Wilson (wdraw100@hotmail.com)
Original dimensions and Mini-Mock design copyright © Don Mock







88.17mm (3 1/2")



88.17mm (3 1/2")

152.39mm.(6")



Don Mock's - Mini-Mock Foil

Leading edge hem allowance = $\frac{1}{2}$ "

Seam allowance = $\frac{1}{4}$ "

5 x profiles with holes

2 x profiles without holes

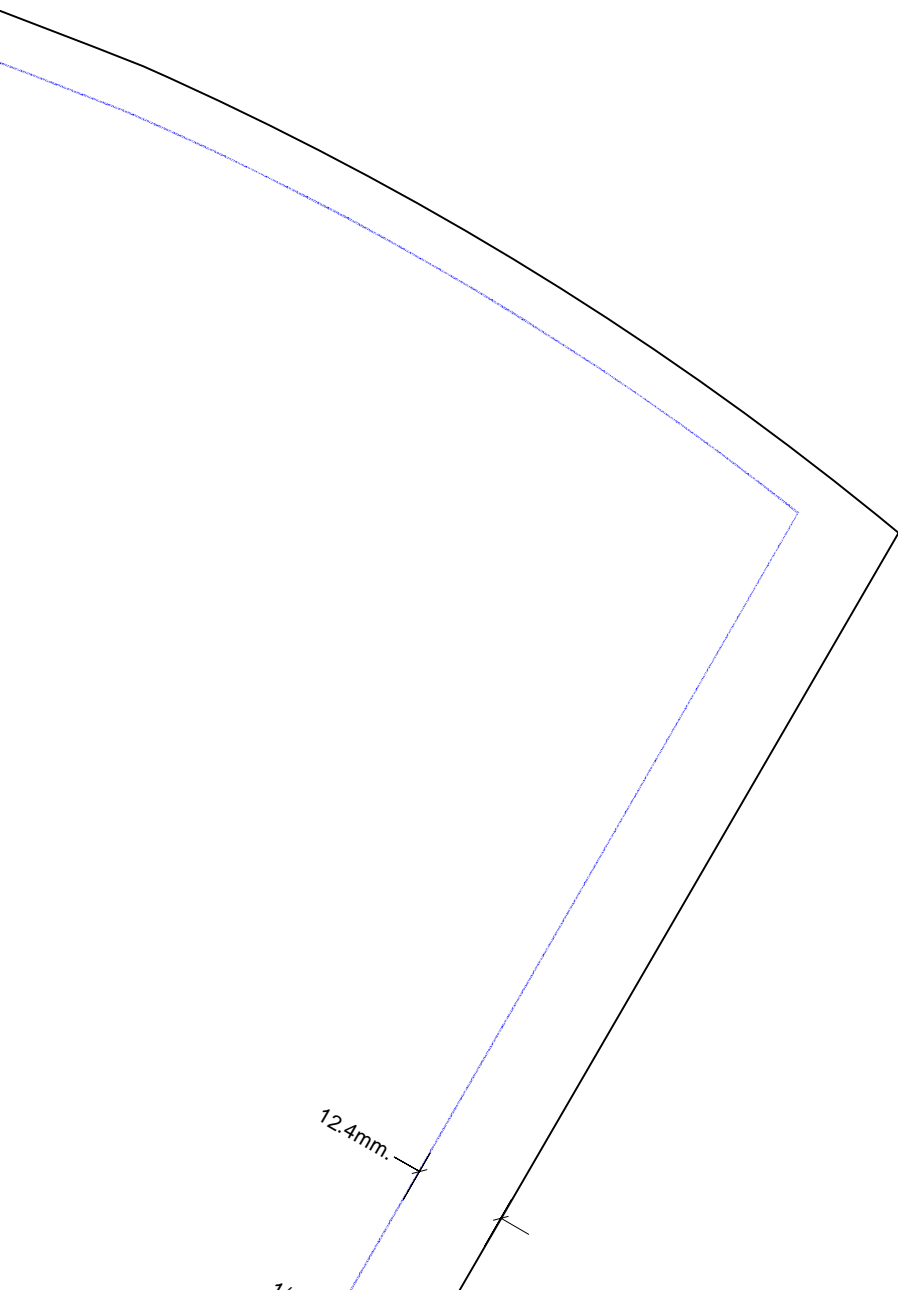
Dimensions from plan by Peter Schmidts

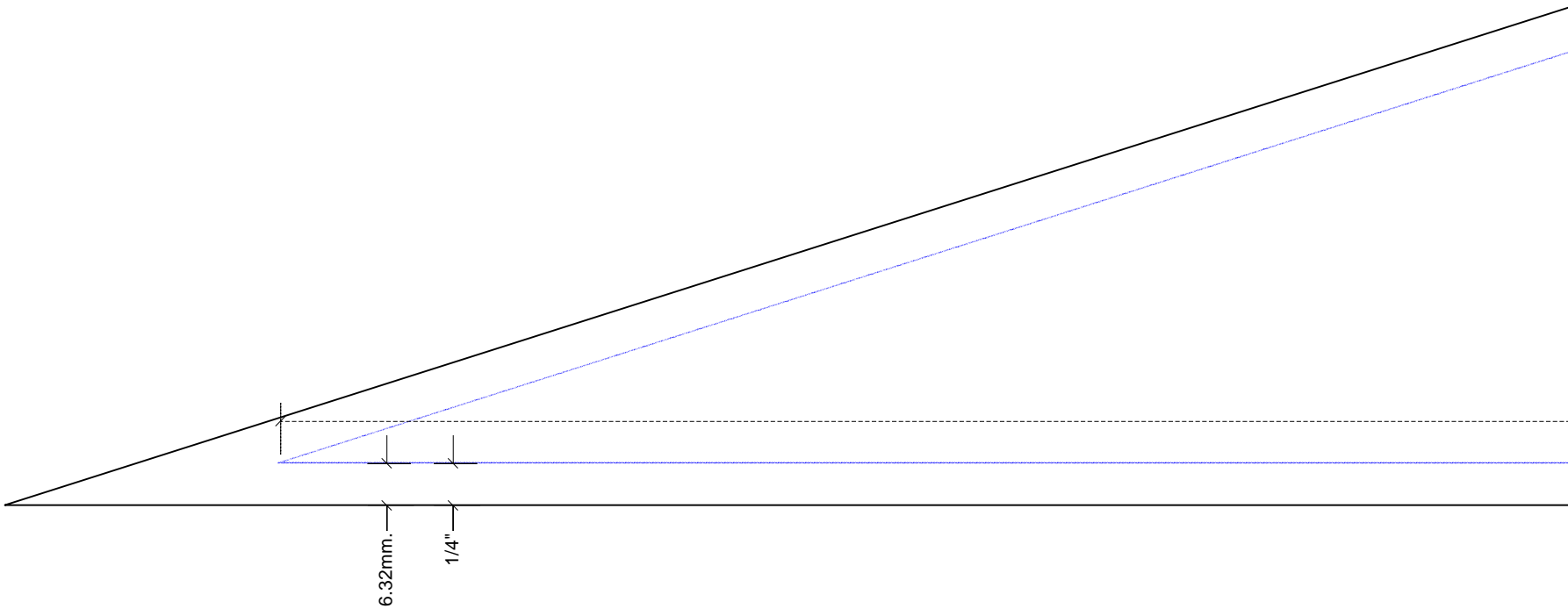
<http://www.schmidts-pit.de/bauplaene/mini-mock/mini-mock.pdf>)

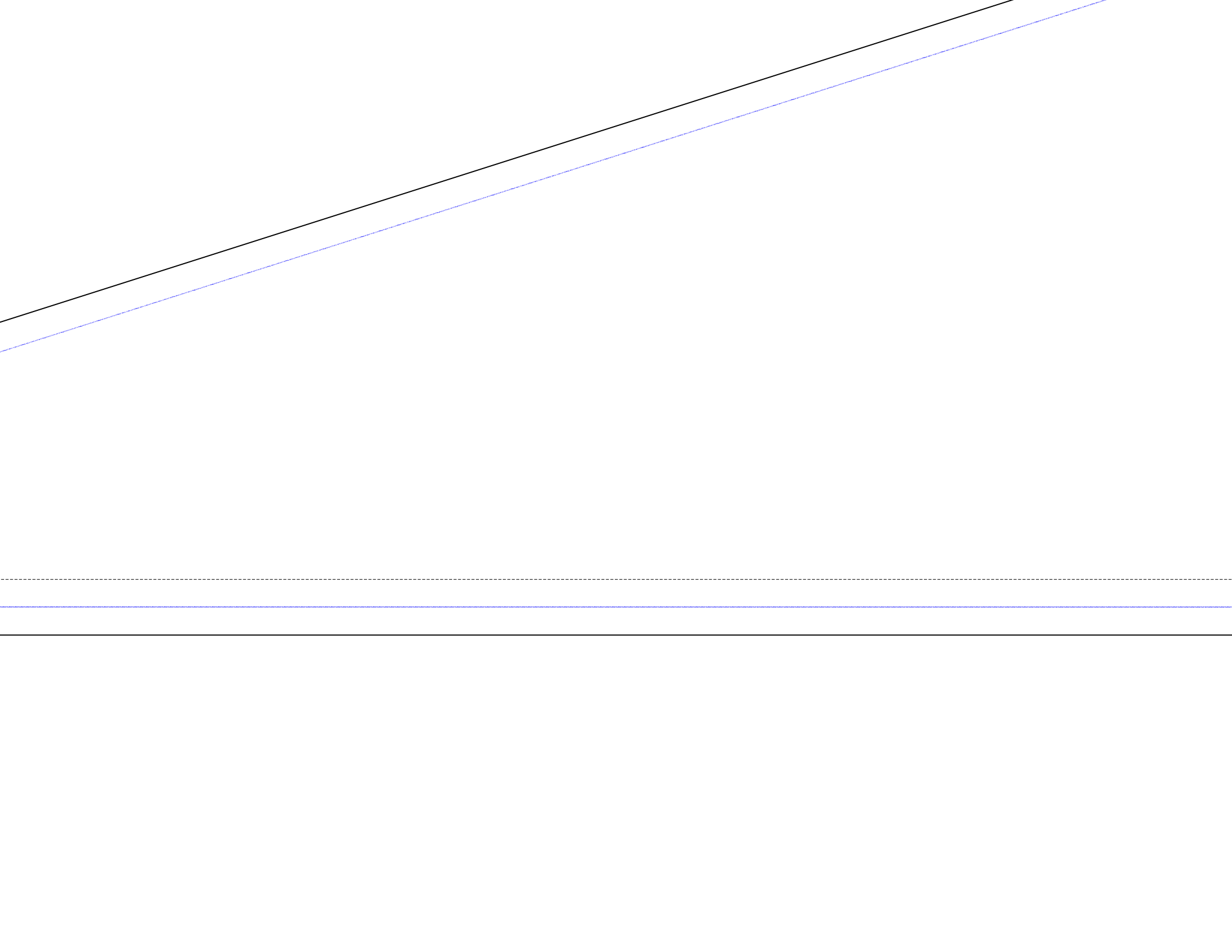
Visio drawing by Bill Wilson (wdrwilson@hotmail.com)

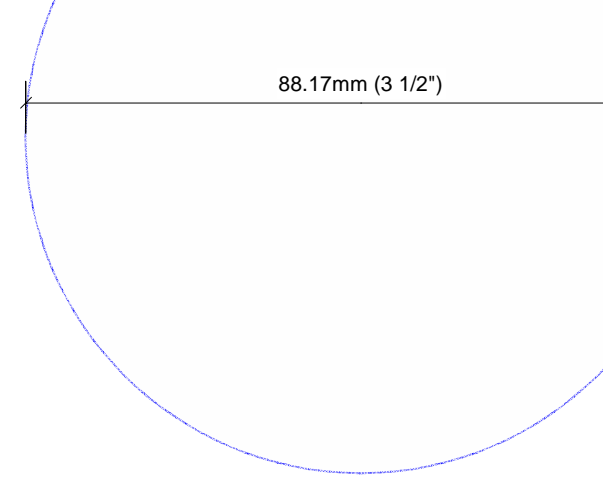
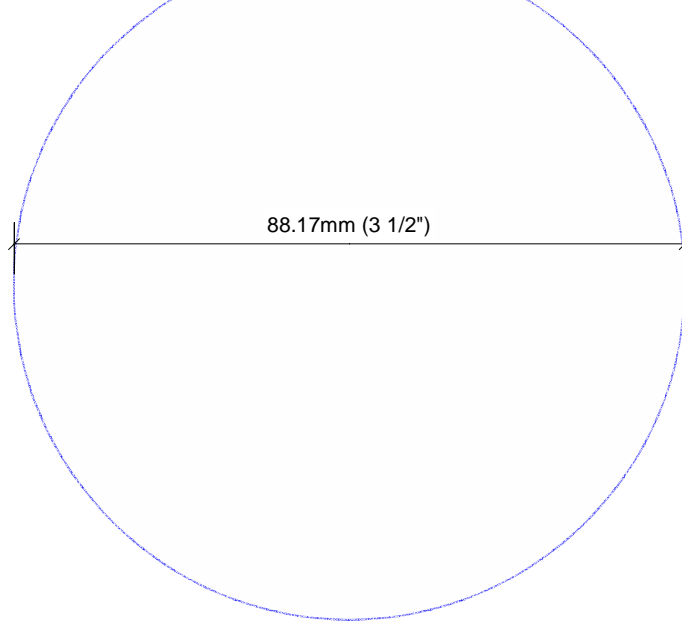
Original dimensions and Mini Mock design copyright © Don Mock

mm.(6")



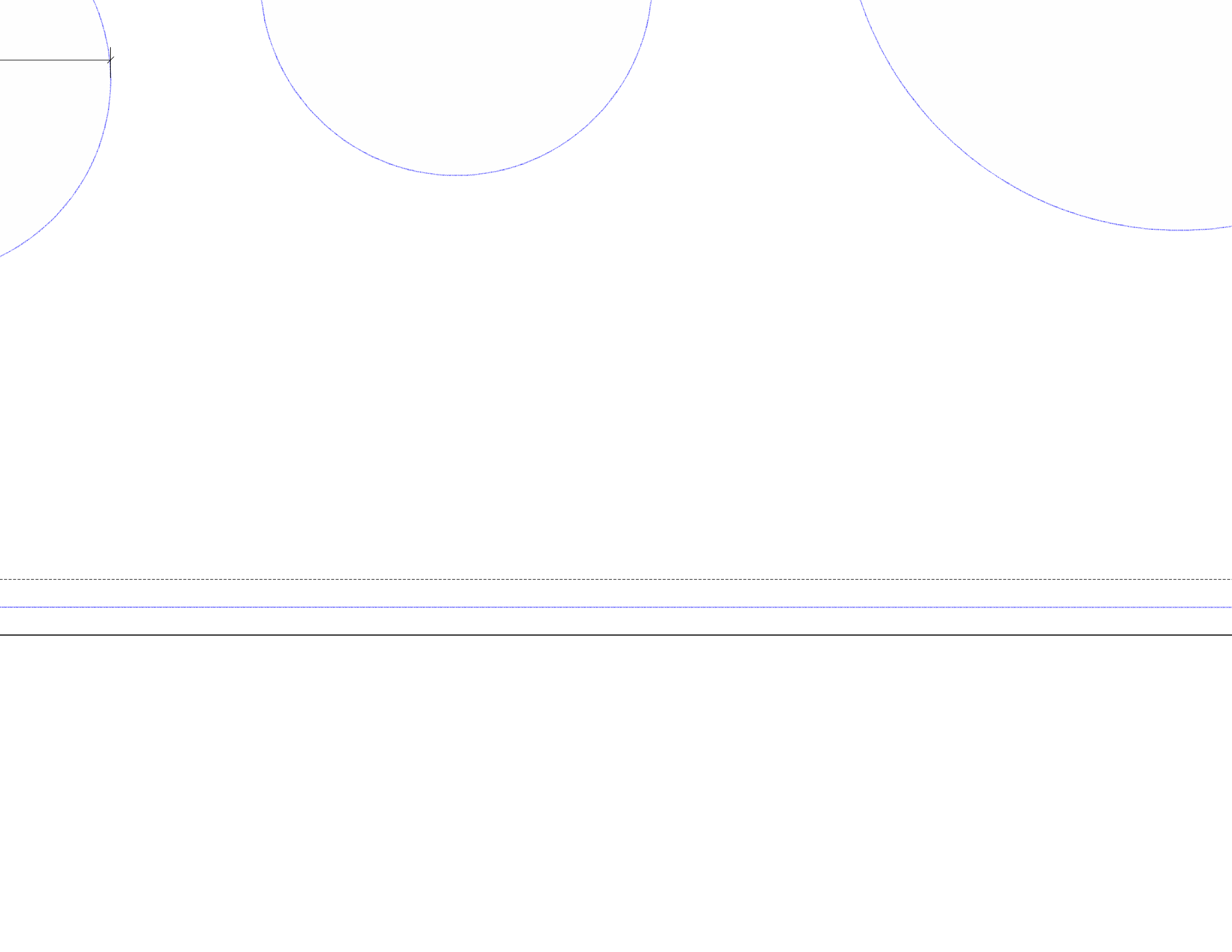


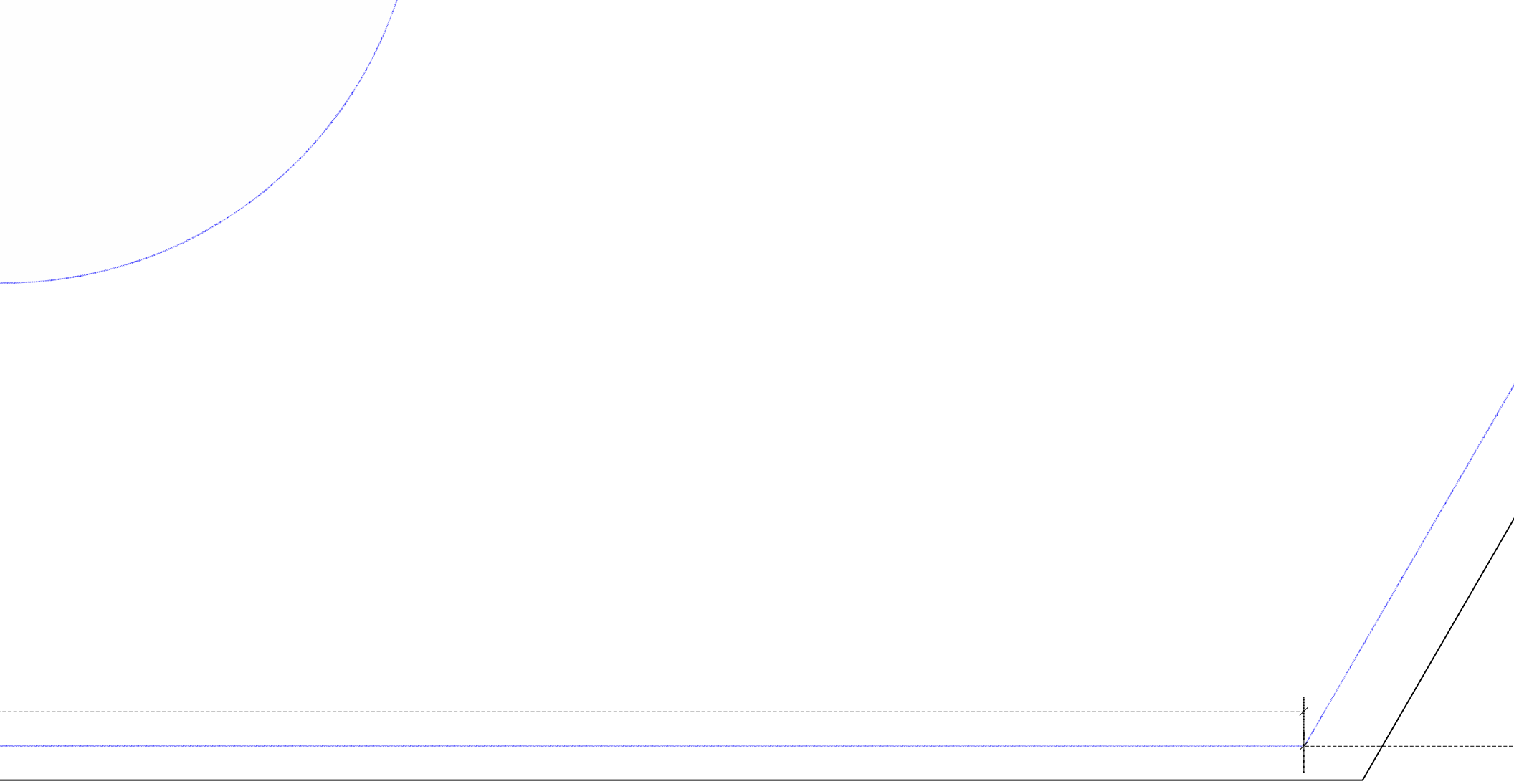


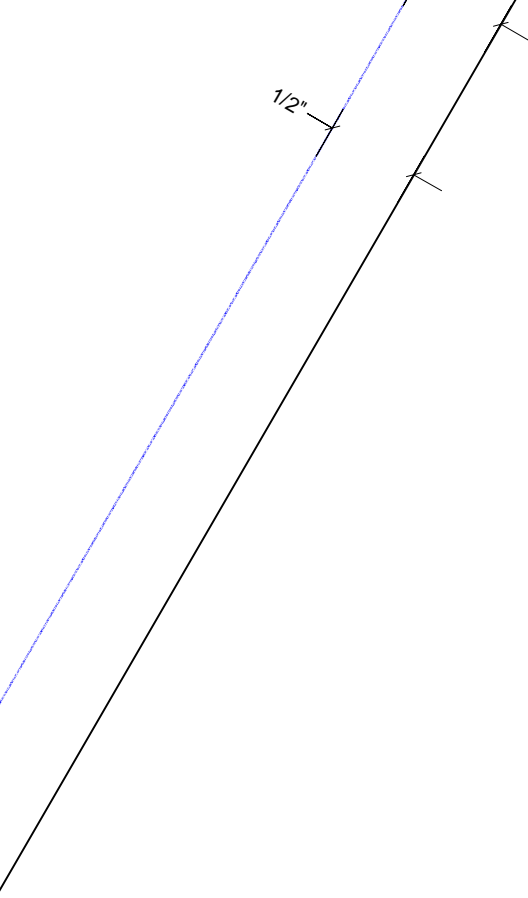


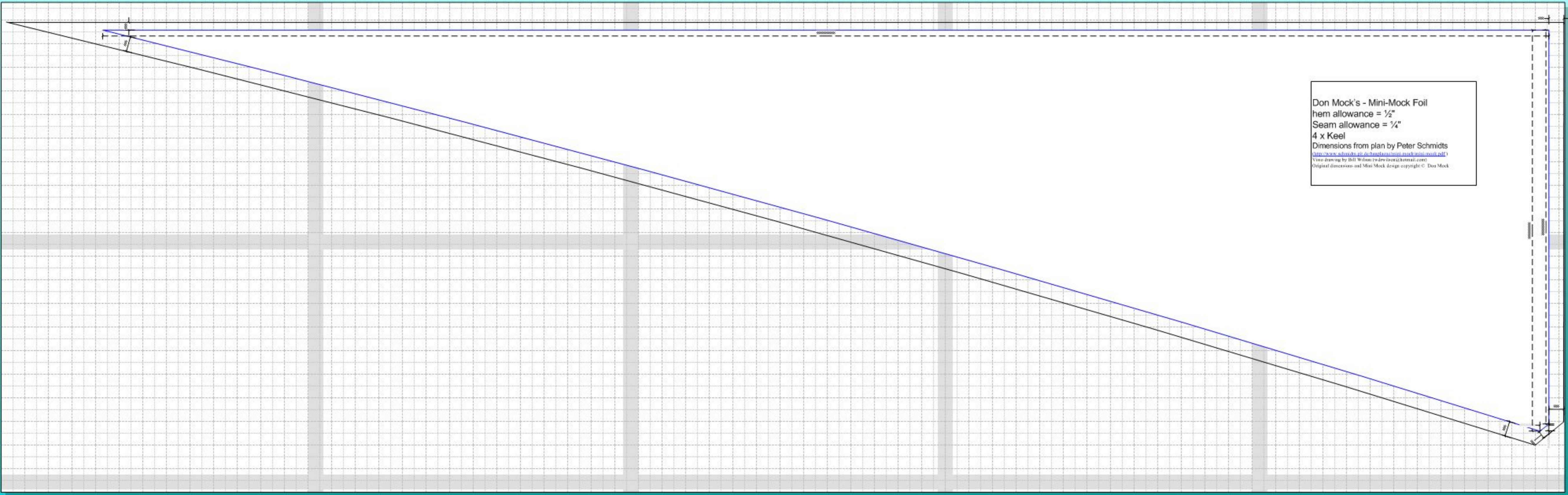
4'-1/8"

1222mm









Don Mock's - Mini-Mock Foil

hem allowance = $\frac{1}{2}$ "

Seam allowance = $\frac{1}{4}$ "

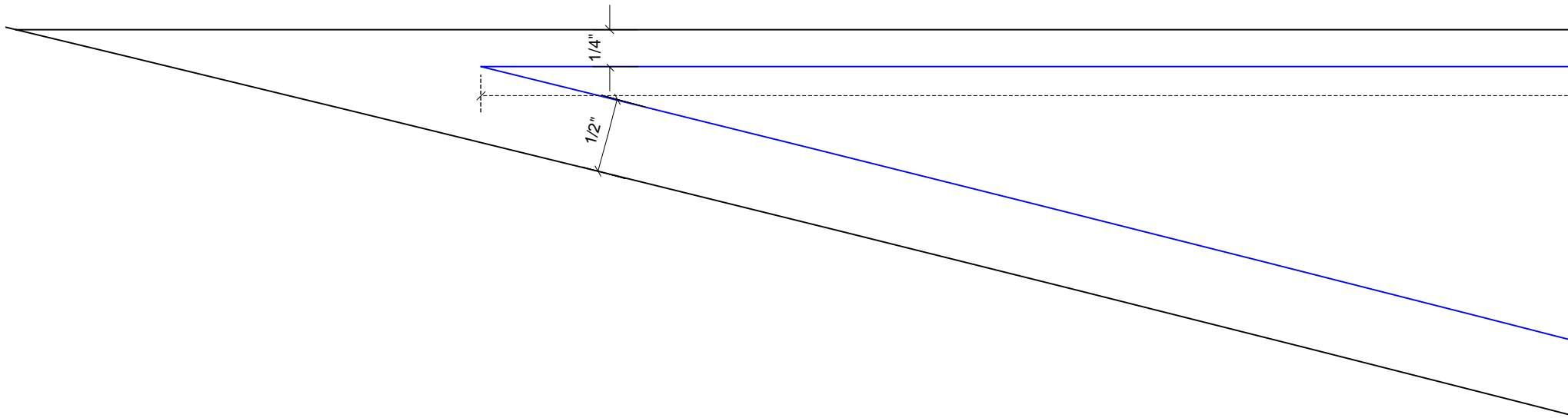
4 x Keel

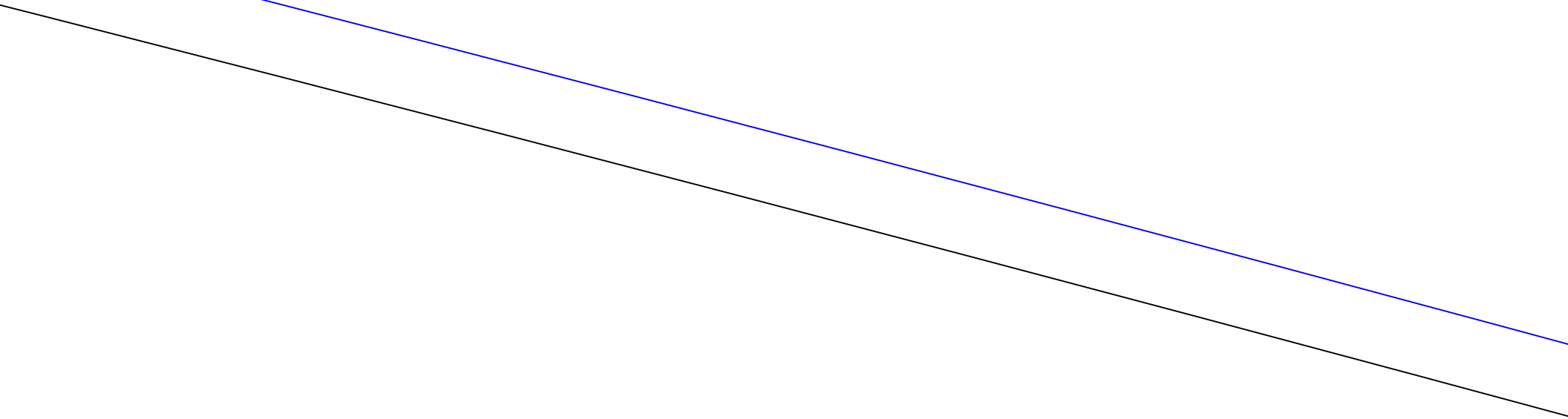
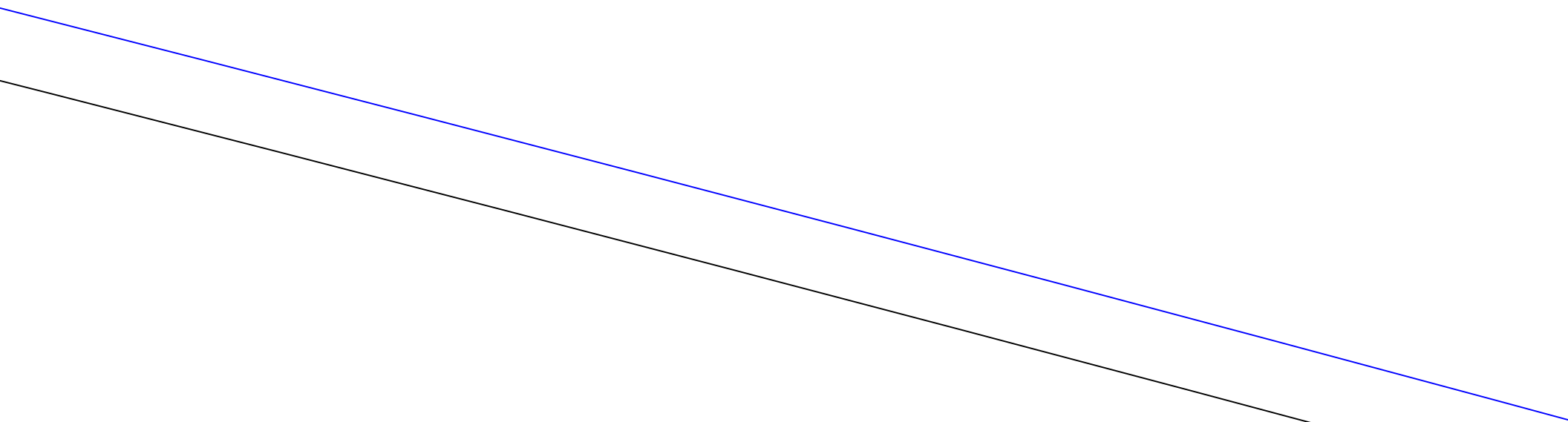
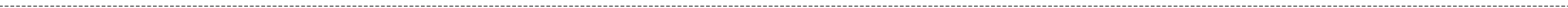
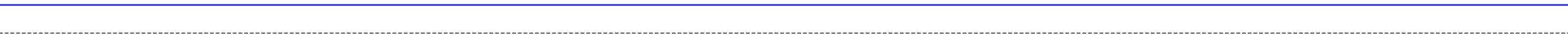
Dimensions from plan by Peter Schmidts

http://www.schmidts.pl/obrazki/mini_mock/mini_mock.pdf

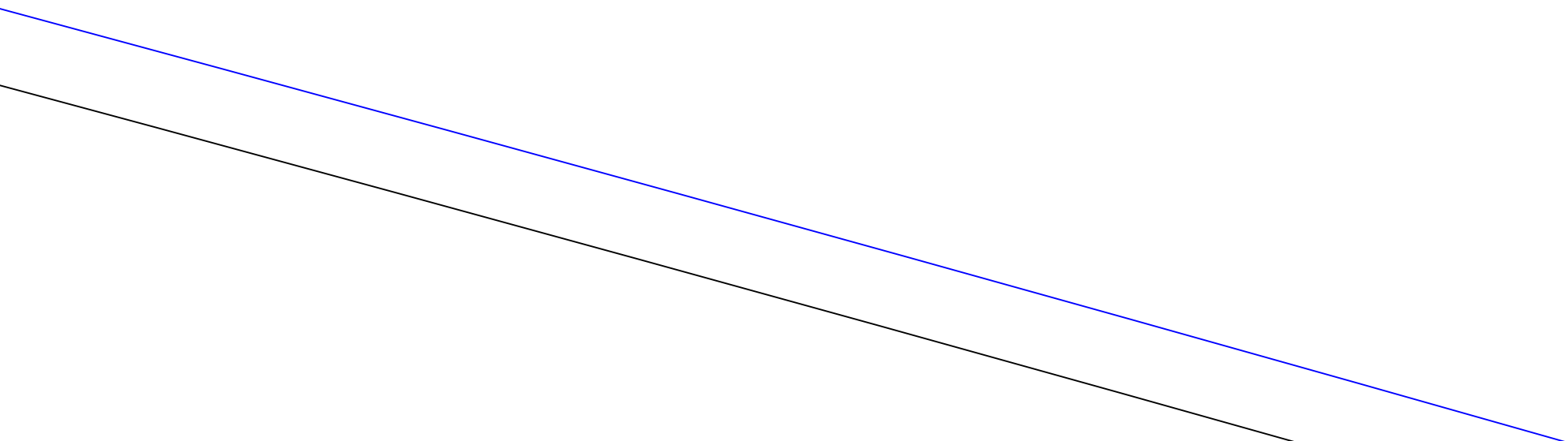
Visio drawing by Bill Wilson (w@redice.net)

Original dimensions and Mini Mock design copyright © Don Mock





1225.50mm.



1/2"

Don Mock's - Mini-Mock Foil

hem allowance = 1/2"

Seam allowance = 1/4"

4 x Keel

Dimensions from plan by Peter Schmidts

(<http://www.schmidts-pit.de/bauplaene/mini-mock/mini-mock.pdf>)

Visio drawing by Bill Wilson (wdrwilson@hotmail.com)

Original dimensions and Mini Mock design copyright © Don Mock

339.80mm.

333.80mm.

